

Installation Guide for Portable Series X-Press Model-Y Screen

Liberty Grandview[®]

AV-VISION
EQUIPMENTS (INDIA) (P) LTD.

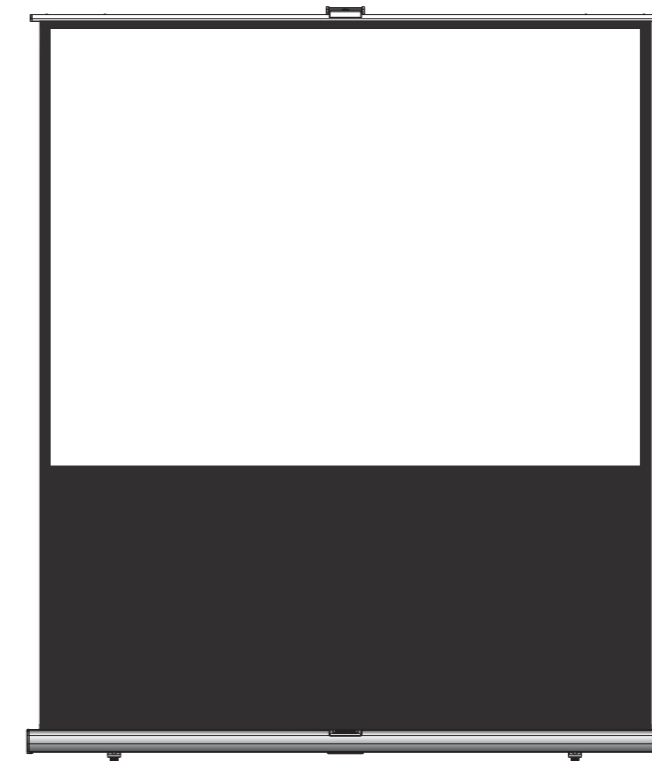
Mktg. Off: 1-20-248, 2nd Floor, (Snowcem Paints Lane),
Rasoolpura, Secunderabad-500 003, A.P., INDIA.
Tel : +91(0)40-2781 5419 / 2781 4350 / 2789 0599 / 2781 8419 / 20 / 21
Fax : +91(0)40-2781 5399 (Off.) / 2781 4612 (Mktg)
Mobile: + 91- (0) 99590 24099 / 98490 24099
E-mail : sales@av-visionindia.co.in
Website : www.av-visionindia.co.in

Grandview Crystal Screen Canada Ltd.

#11- 3751 North Fraser Way,
Marine Way Business Centre,
Burnaby, BC, Canada V5J 5G4
Tel: 1-604-412-9777 Fax: 1-604-412-9796
Website: www.grandviewscreen.ca

Guangzhou Grandview Crystal Screen Co., Ltd.

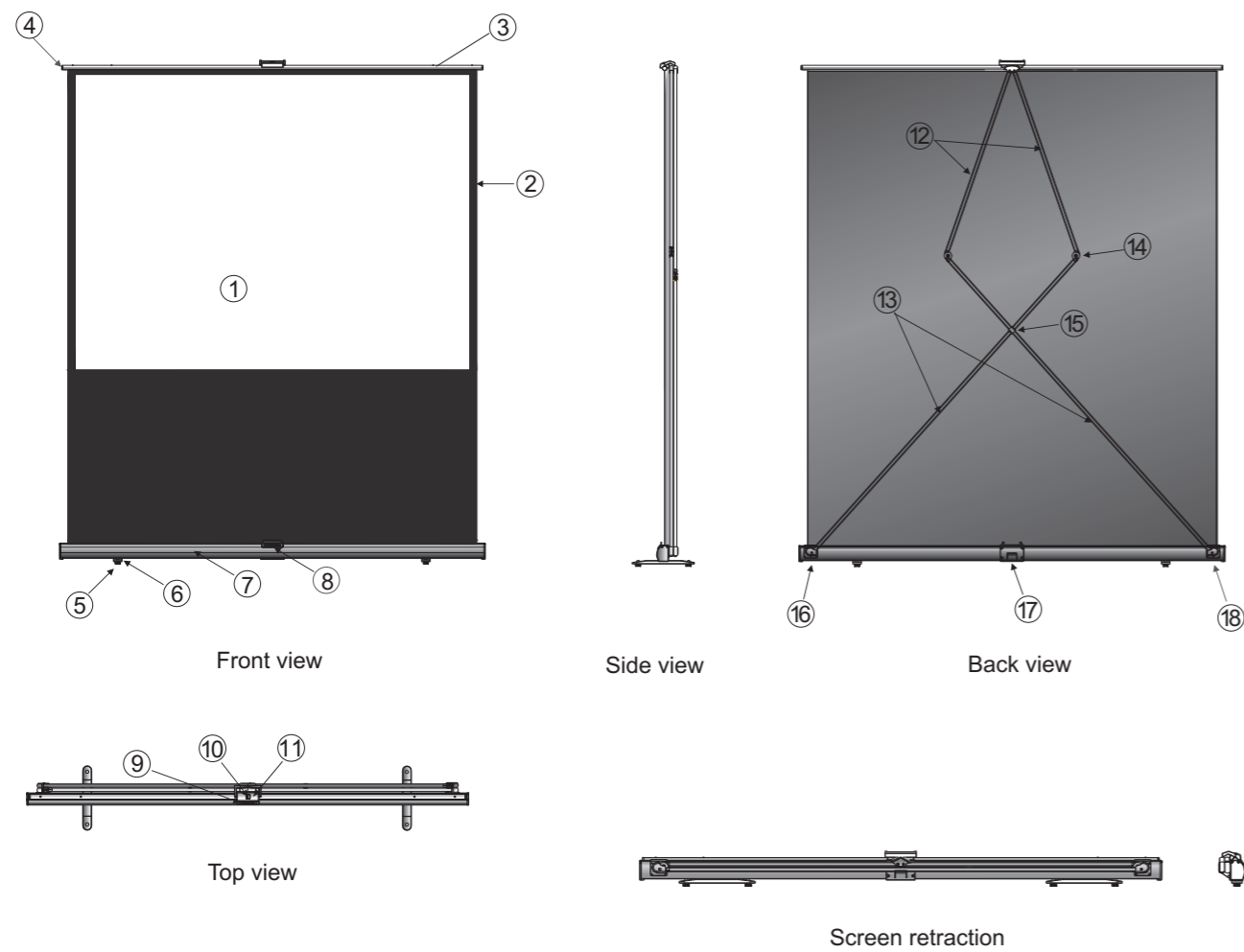
No.43 South International Trade Avenue, Hualong Town,
Panyu, Guangzhou, Guangdong, China
Tel: +8620-8489-9499 Fax: +8620-8480-3343
Website: www.grandviewscreen.com
www.grandviewscreen.com.cn



CB-UYxx

Description

Illustration



Part name

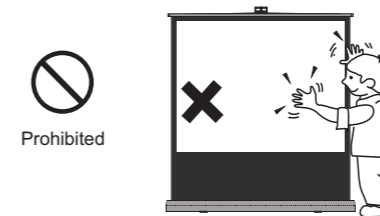
①	Fabric	⑩	Tube lock
②	Fabric black border	⑪	Handle Base
③	Semicircle tube	⑫	Upper Support Lever
④	Rod	⑬	Lower Support Lever
⑤	Casing	⑭	Support Lever Joint
⑥	Foot	⑮	Support Lever Pipe
⑦	Foot Wheel	⑯	Seat
⑧	Front Base	⑰	Rear Base
⑨	Handle	⑱	Seat

Note ⚠

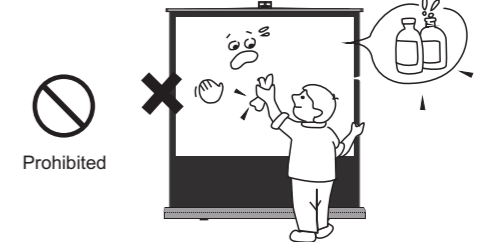
The surface of screen is processed to achieve good performance of the reflector. Any damage of surface will influence projection effects so please use this product in right way.

Caution

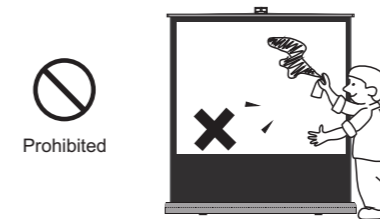
- Please do not shake the screen by hand.



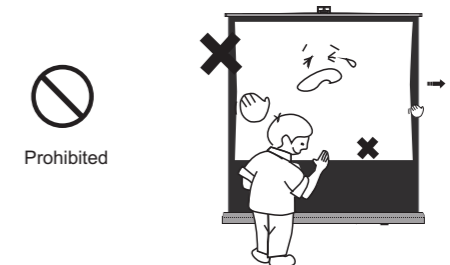
- Please do not use any cloth with water, volatile oil and corrosive cleaning agents to clean the screen, because they will make the surface metamorphism and paint off.



- Please do not make any marks on screen surface.



- Please do not pull the screen strongly that it will cause the risk of damage.

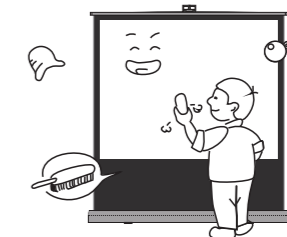


Maintenance

- Any stains on the casing, please use dry-cloth to clean softly. If too serious, please use soft-cloth with water-diluted neutral detergent to clean.

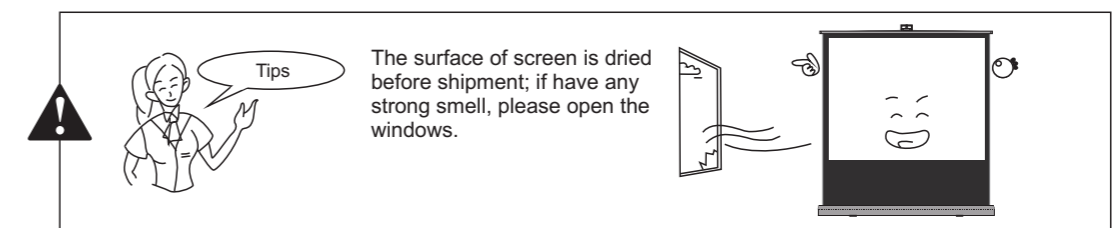


- Please use a brush to clean the dust of screen surface softly.



Location Caution

- Please keep the screen far away from sunshine, dust and wet. Avoid using the screen in strong wind.



Caution

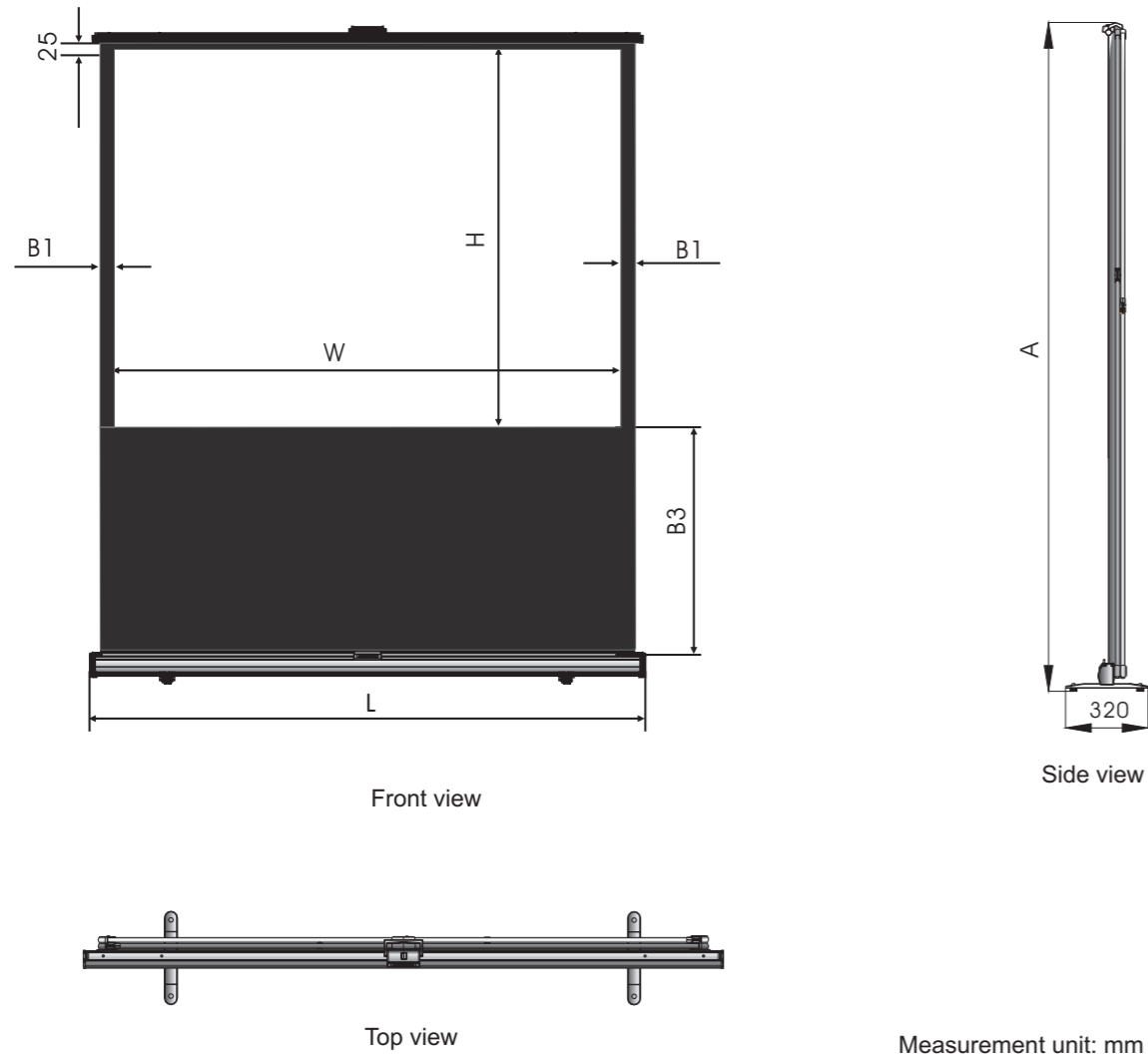
- Please contact your local dealer for repairing and replacing. Please contact us if you have any questions. Avoid taking apart the fixture yourself.



Specifications

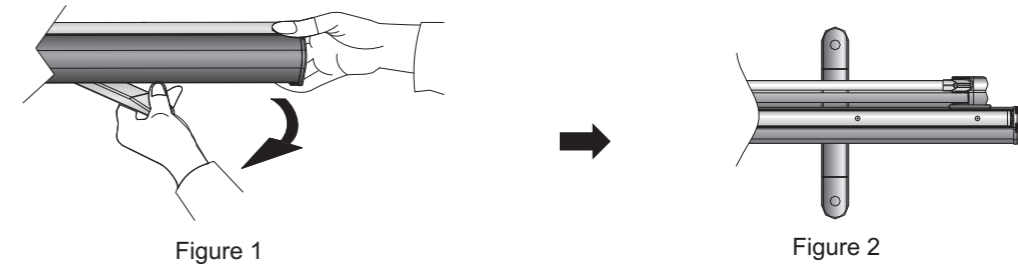
Format	Model	Specification (In)	Viewing area		Screen dimension		B1 (mm)	Net weight (kg)
			W (mm)	H (mm)	L (mm)	A (mm)		
4:3	CB-UY60	60"	1219	914	1380	1750	35	6.25kg
	CB-UY70	70"	1422	1067	1582	2005	35	6.85kg
	CB-UY80	80"	1626	1219	1785	2220	35	7.83kg
	CB-UY100	100"	2032	1524	2192	2526	35	9.75kg
16:9	CB-UY60	60"	1328	747	1488	1774	35	6.34kg
	CB-UY70	70"	1550	871	1710	1799	35	6.96kg
	CB-UY80	80"	1771	996	1930	1990	27	7.57kg
	CB-UY92	92"	2030	1145	2192	2234	32	8.89kg
16:10	CB-UY65	65"	1400	914	1488	1870	0	6.63kg
	CB-UY85	85"	1831	1219	1930	2136	0	7.91kg

Note: Sizes and specifications are subject to change at any time. Refer to real product for exact data.
The tolerance for L is ± 5 mm.

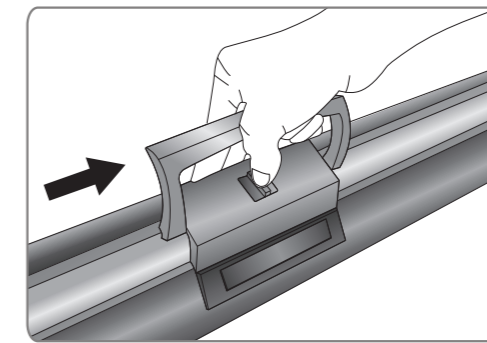


Open Screen

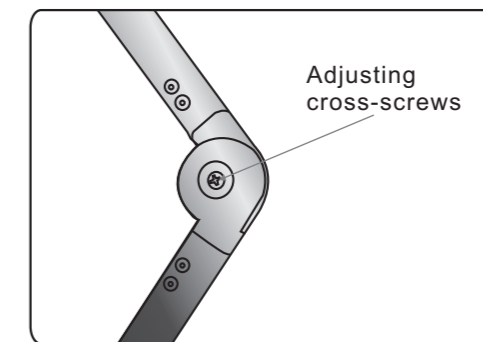
- Put the screen on the ground, in a proper position facing the projector. Turn the feet out until they are perpendicular to the screen casing (Figure 1 - 2).



- Pull up the handle while using the thumb to release the tube lock as arrow indicates (Figure 3).



- Opening the screen, if the support bar can not be expanded completely, please use screwdriver to adjust the screws until support bar can be expanded completely.



- The support bars will have some connecting separations after used in many time. Please follow the pictures to reconnect.

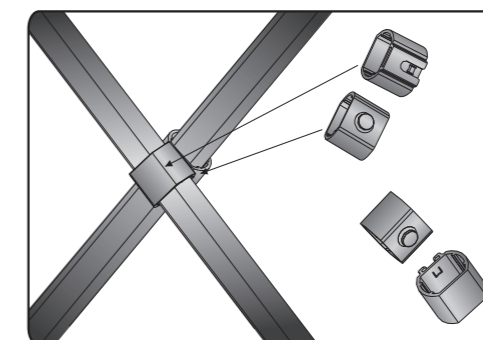


Figure 5

Open Screen

5. Pull up the screen with constant speed and stop at desired position for three minutes so that the screen can be installed (Figure 6 - 9).

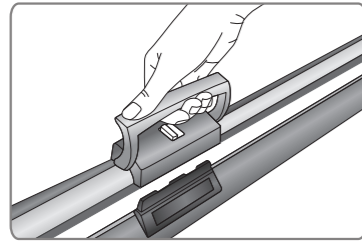


Figure 6

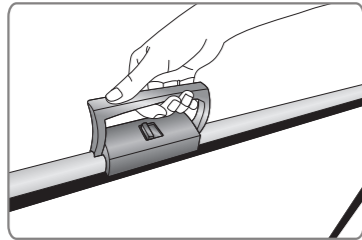


Figure 7

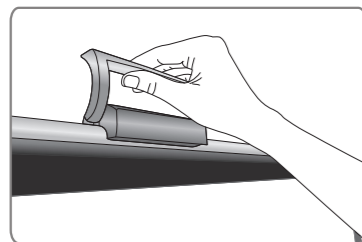


Figure 8

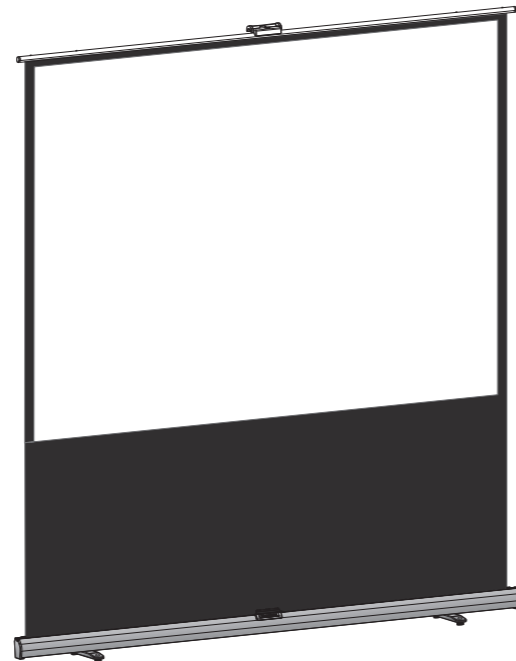


Figure 9

6. Adjust the foot wheel when the ground is not even. To be exact, clockwise rotation raises the foot while counterclockwise rotation lowers the foot, with limits of five circles or within 8mm (Figure 10 - 11).

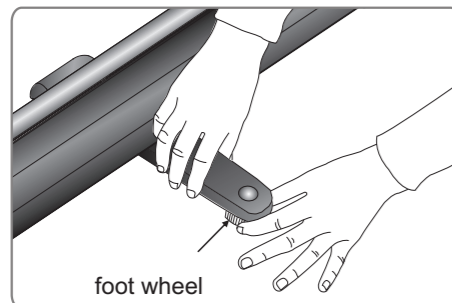


Figure 10

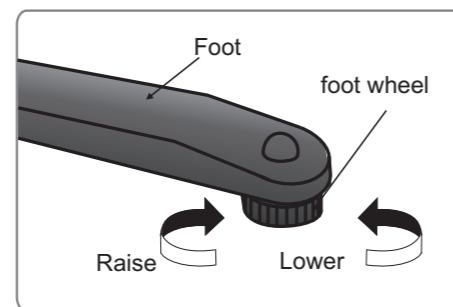


Figure 11

Retract screen

1. Put the screen back to casing after using.
 2. Hold the handle and press it down slowly (figure 12). According to figure 13, Please stay the support levers into the seats for locking easily (figure 14). When you can hear “pa”, it means that the screen is locked (figure 15).

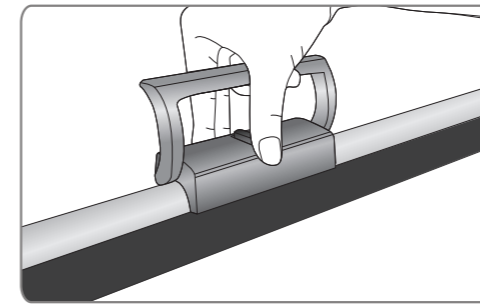


Figure 12

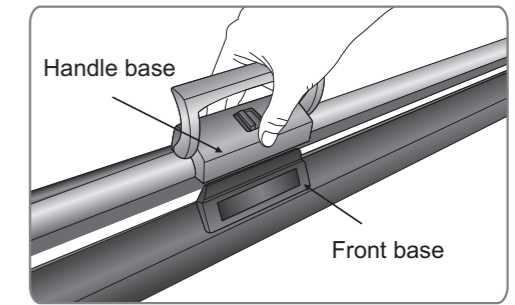


Figure 13

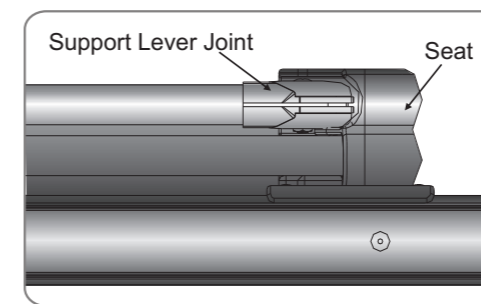


Figure 14

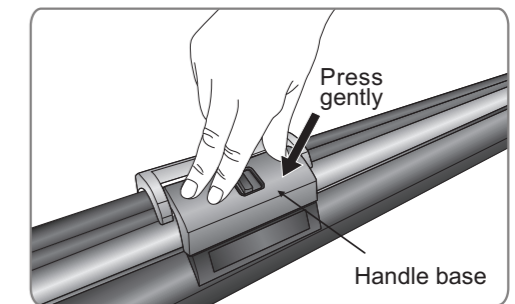


Figure 15

3. Rotate the feet in line with the casing. Retraction is completed (Figure 16 - 18).

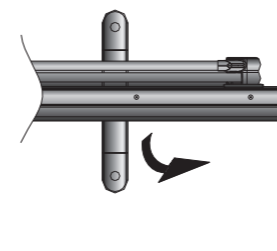


Figure 16

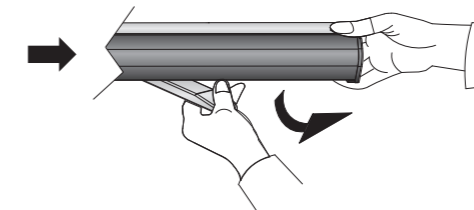


Figure 17

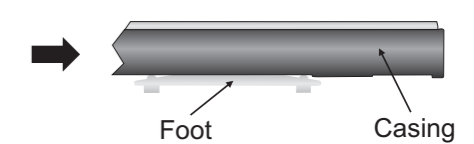


Figure 18